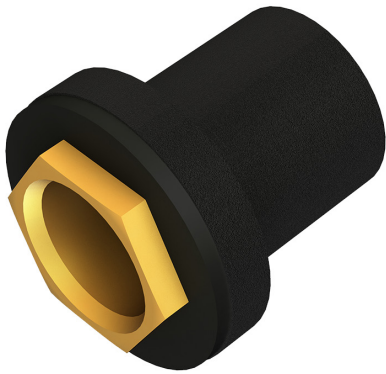


PRODUCT CODE: FCS1B
FLANGED COUPLER



DESCRIPTION

20mm Flanged Coupler

FINISH

Black Enamel

MATERIAL

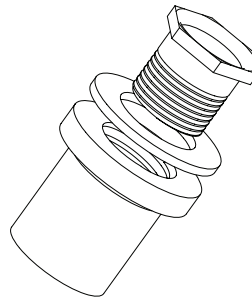
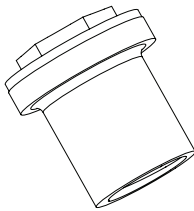
Body: Steel / Lead Washer / Brass Bush

PACKAGING

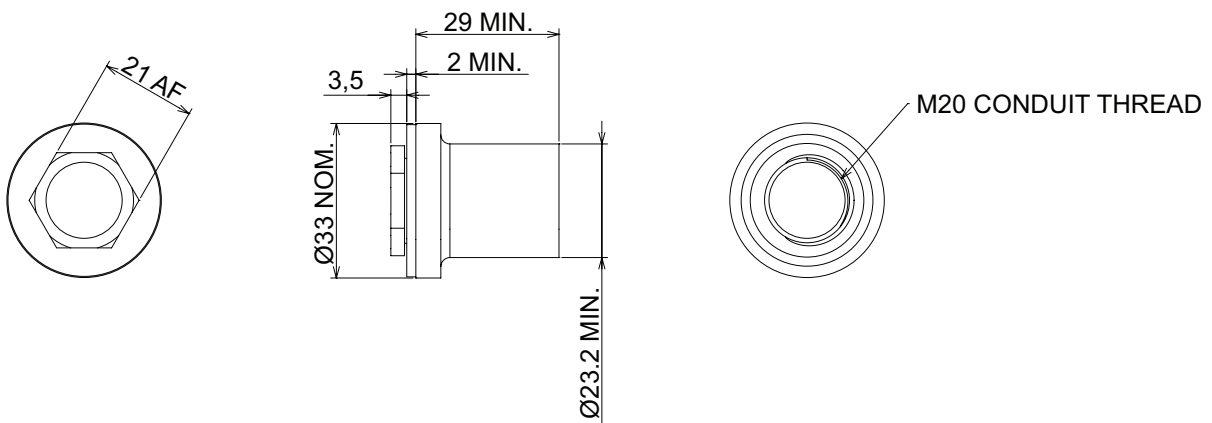
Packed in qty 50

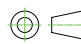
ADDITIONAL NOTES

Conforms to BS EN61386-1
Compliant to LU Standard 1-085 (for use on surface & sub-surface locations)
Comprises; flange body, lead washer and male brass bush



EXPLODED VIEW



 Values are nominal and with a general tolerance $\pm 5\%$ unless otherwise specified